

# Parts Coverage Guide

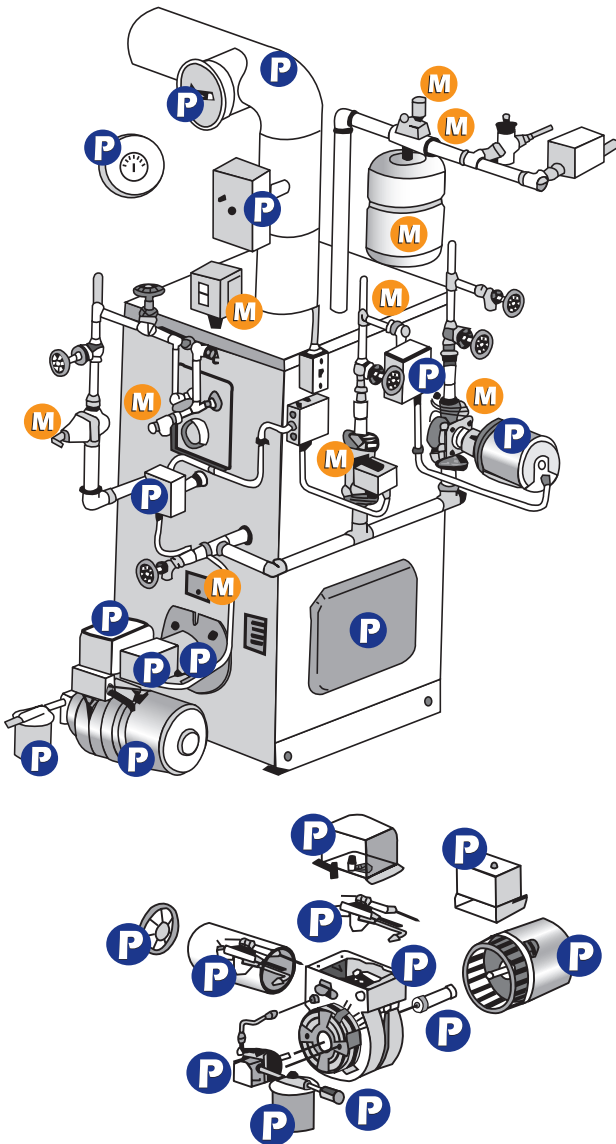
This guide provides additional information regarding the parts and services covered in our Total Townsend Service Plans, as well as important plan terms and conditions. Please refer to this guide before enrolling in a Total Townsend Service Plan. Please contact us should you have any questions.

## GoldGuard

Premium Oilheat Service Plan

Covers all **P** parts from the HomeGuard Plan PLUS **M** MAJOR PARTS

- Air Vents
- Aquastat
- Bearing Assembly
- Boiler Valves
- Check Valves
- Circulator Complete (standard)
- Circulator Coupling
- Circulator Motor
- Circulators & Zone Valves
- Diaphragm Tank (standard)
- Feed Valve
- Gauge Glass Set
- High Limit Control
- Low Limit Control
- Low Water Cutoff
- Mixing Valve
- Purge Valve
- Relief Valve 30 lb.
- Relief Valve 100 XL
- Steam Relief Valve 15 lb.
- Triple Aquastat
- Temperature Gauge



## HomeGuard

Comprehensive Oilheat Service Plan

Parts covered are shown with **P**

### Controls

- Cad Cell Relay
- Draft Regulator
- Emergency Switch
- Flue Pipe (up to 10" dia.)
- Primary Control
- Stack Control
- Thermostat
- Zone Damper Motor

- Buss Bar
- Transformer Leads
- Cad Cell Assembly
- Cad Cell Eye
- Electrode Assembly
- Electrodes
- Humidifier Float
- Humidifier Motor
- Humidifier Pad
- Ignition Transformer
- Nozzle (up to 2.5 gph)
- Nozzle Adapter
- Nozzle Line
- Nozzle Line Heater
- Standard Chamber

### Warm Air System Parts

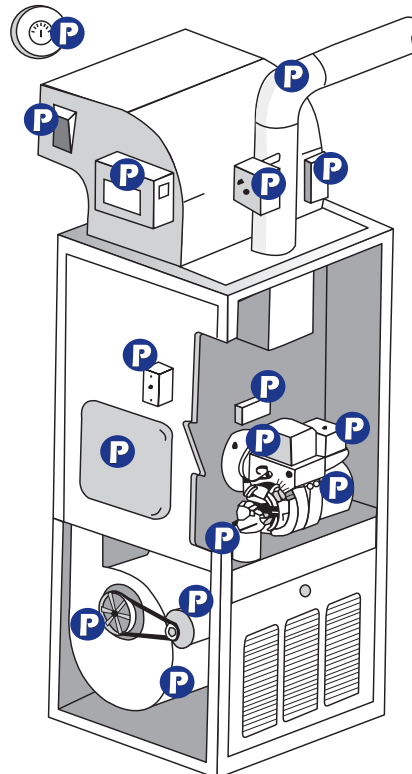
- Ordinary Air Filter
- Blower Belt
- Blower Motor up to 1/4 hp
- Blower Pulley
- Fan Control
- Limit Control

### Fuel Supply Parts

- Firematic Valve
- Fuel Filter Cartridge
- Fuel Filter Complete
- Fuel Pump
- Fuel Pump Strainer

### Burner Replacement Parts

- Blast Tube
- Burner Coupling
- Burner Fan
- Burner Flange Gasket



**Optional Townsend Water Heater Coverage**  
(For Oilheat Water Heaters)

- Coverage includes burner parts, aquastat controls and emergency switch.
- Annual performance check will be performed in conjunction with the Conservation Tune-up of your heating system.

## THE TankSure<sup>®</sup> PROGRAM

Optional Tank Protection Plan For Indoor and Aboveground Tanks

### \$1,000 Proactive Tank Replacement Credit

- Tank Credit covers \$1,000 toward replacement of your tank
- Proactive monitoring and replacement of tanks
- Reduces unexpected costs
- Reduces risk and increases Safety

### Ultrasonic Inspection

- Trained technicians use an EPA-approved ultrasonic testing process to evaluate the thickness of your tank walls
- The annual test and evaluation facilitate a proactive replacement process

### Scientific Analysis & Documentation

- Your tank's thickness measurements, physical characteristics and surrounding environment are analyzed with state-of-the-art tank profiling software
- Tank information is compiled on a tank inspection certificate for your records
- This is important documentation if you ever sell your home

Please see other side for terms and conditions for all plans described here.